

For price requests and technical information  
please contact us:

关于价格和技术信息的问询请联系我们:

Phone 电话: +49 (0) 9321 / 38308 – 0

Fax 传真: +49 (0) 9321 / 38308 – 69

E-Mail 电邮: sales@abrasiveplant-technology.com

**PRODUCT LIST SPECIAL EQUIPMENT DENTAL BURRS  
TYPE 460-3**

01.03.16

牙钻（型号 460-3）特殊设备产品列表

Pos. 编号	Quant. 数量	Unit 单位	Designations, dimensions, etc. 产品说明, 规格等
------------	--------------	------------	---

**SPECIAL EQUIPMENT**  
 =====  
**FOR MANUFACTURING OF**  
 =====  
**DENTAL BURRS FG**  
 =====  
**- TYPE 460-3/002**  
 =====  
 用于生产牙钻FG-型号460-3/002  
 =====  
 的特殊设备  
 =====

**I Fixtures 夹具**

01	pc	Holder for degreasing, activation and Nickelstrike 用于去脂, 活化与冲击镍的支架 HVD-003 Part no.产品编号: 0100 0265 Customs-Declaration no.报关编号: 85439000
----	----	--



Fig. 01 图01

**BURRS  
TYPE 460-3**

牙钻（型号 460-3）特殊设备产品列表



Pos. 编号	Quant. 数量	Unit 单位	Designations, dimensions, etc. 产品说明, 规格等
------------	--------------	------------	---

Holder for diamond tackdown fixture and diamond retaining sieve DAV incl. integrated titanium auxiliary anode and electrolyte rinsing connection  
 金刚石固定夹具与护筛DAV包括内置钛辅助阳极与电解液漂洗连接

Customs-Declaration no. 报关编号: 85439000

- |    |    |   |
|----|----|---|
| 02 | pc | - for grit size > 50 Micron (DAV-D/002-30)<br>用于砂粒尺寸> 50 Micron (DAV-D/002-30)<br>Part-no. 产品编号 0100 0260 |
| 03 | pc | - for grit size > 25 Micron (DAV-D/003-10)<br>用于砂粒尺寸> 25 Micron (DAV-D/003-10)<br>Part-no. 产品编号 0100 0261 |
| 04 | pc | - for grit size > 25 Micron (DAV-D/003-5)<br>用于砂粒尺寸> 25 Micron (DAV-D/003-5)<br>Part-no. 产品编号 0100 0399   |

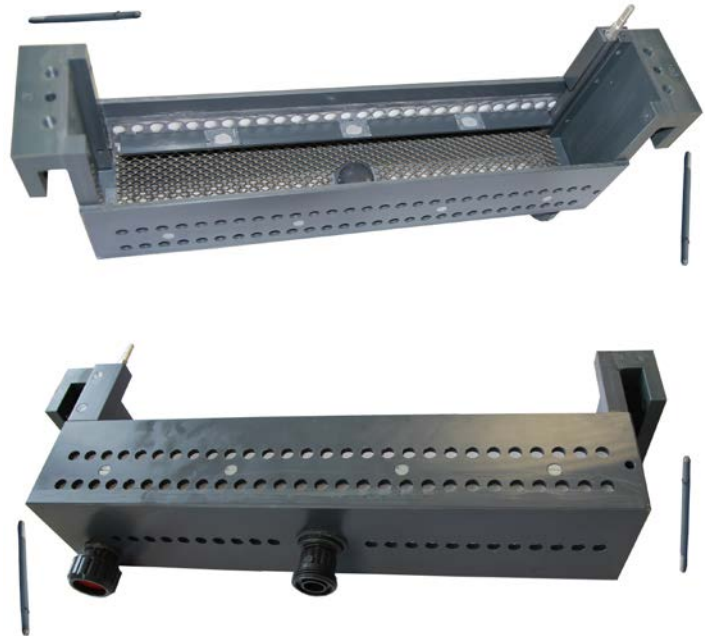


Fig.02 图02

Pos. 编号	Quant. 数量	Unit 单位	Designations, dimensions, etc. 产品说明, 规格等
			Diamond tackdown fixture for contact fixture 接触夹具的金刚石固定夹具 KLD 3 - Ø 1.6 for 252 piece fixture用于252件夹具
05	pc		Customs-Declaration no.报关编号: 85439000 - for grit size > 50 Micron (DIA 3-D/001-30) 用于砂砾尺寸 > 50 Micron (DIA 3-D/001-30) Part no.产品编号: 0100 0262
06	pc		- for grit size ≥ 25 Micron (DIA 3-D/001-15) 用于砂粒尺寸 ≥ 25 Micron (DIA 3-D/001-15) Part no. 产品编号: 0100 0263



Fig. 03 图03

			Diamond tackdown fixture for 252 piece contact fixture 用于252件接触夹具的金刚石固定夹具 KLD 3
07	pc		- for grit size > 10 Micron (DIA 3-D/001-5) - 用于砂粒尺寸 > 10 Micron (DIA 3-D/001-5) Part no.产品编号: 0100 0400 Customs-Declaration no.报关编号: 85439000
08	pc		Lower part for diamond tackdown fixture incl. rinsing connection 金刚石固定夹具, 包括漂洗连接的下部 - for grit size ≥ 10 Micron, 3FG (DIA 3-U/001) 用于砂粒尺寸 ≥ 10 Micron, 3FG (DIA 3-U/001) Part no.产品编号: 0100 0401 Customs-Declaration no.报关编号: 85439000



Fig. 04 图04

Pos. 08 编号

Pos. 07 编号 07

**PRODUCT LIST SPECIAL EQUIPMENT DENTAL 01.03.16**  
**BURRS**  
**TYPE 460-3**



牙钻（型号 460-3）特殊设备产品列表

Pos. 编号	Quant. 数量	Unit 单位	Designations, dimensions, etc. 产品说明, 规格等
------------	--------------	------------	---

09		pc	<p>Contact fixture KLD 3-FG/002                      for FG-313, 314, 315 (Ø 1,6)                      用于 FG-313, 314, 315 (Ø 1,6)的接触夹具KLD 3-FG/002</p> <ul style="list-style-type: none"> <li>- for 252 dental burrs / contact fixture – triple row                              用于252个牙钻/接触夹具-三排</li> <li>- at a ordered quantity of 订购数量:                             <table border="0" style="margin-left: 20px;"> <tr><td>5 - 9 pcs</td><td>3%</td></tr> <tr><td>10 - 24 pcs</td><td>5%</td></tr> <tr><td>25 - 49 pcs</td><td>10%</td></tr> <tr><td>50 - 99 pcs</td><td>15%</td></tr> <tr><td>100 - 249 pcs</td><td>20%</td></tr> <tr><td>250 - 499 pcs</td><td>25%</td></tr> <tr><td>500 - 749 pcs</td><td>30%</td></tr> <tr><td>750 - 999 pcs</td><td>32%</td></tr> <tr><td>1000 -</td><td>35%</td></tr> </table> </li> </ul> <p>Part no.产品编号: 0100 0252                      Customs-Declaration no.报关编号: 85439000</p>	5 - 9 pcs	3%	10 - 24 pcs	5%	25 - 49 pcs	10%	50 - 99 pcs	15%	100 - 249 pcs	20%	250 - 499 pcs	25%	500 - 749 pcs	30%	750 - 999 pcs	32%	1000 -	35%
5 - 9 pcs	3%																				
10 - 24 pcs	5%																				
25 - 49 pcs	10%																				
50 - 99 pcs	15%																				
100 - 249 pcs	20%																				
250 - 499 pcs	25%																				
500 - 749 pcs	30%																				
750 - 999 pcs	32%																				
1000 -	35%																				



Fig. 05 图05

Pos. 编号	Quant. 数量	Unit 单位	Designations, dimensions, etc. 产品说明, 规格等
10		pc	Contact fixture KLD 3-FG/002 - K for FG-short shank ( Ø 1.6) 用于FG-短柄( Ø 1.6)的接触夹具KLD 3-FG/002 - K - for 252 dental burrs / contact fixture – triple row 用于252个牙钻/接触夹具-三排 - at a ordered quantity of 订购数量: 5 - 9 pcs                      3% 10 - 24 pcs                    5% 25 - 49 pcs                    10% 50 - 99 pcs                    15% 100 - 249 pcs                  20% 250 - 499 pcs                  25% 500 - 749 pcs                  30% 750 - 999 pcs                  32% 1000 -                            35% Part no.产品编号:                      0100 0253 Customs-Declaration no.报关编号: 85439000 (see Fig. 05) (见图05)
11		pc	Contact plug for contact fixture KLD 接触夹具KLD的接触插头 Part no.产品编号:                      0100 0123 Customs-Declaration no.报关编号: 85444290



Fig. 06 图06

---

Pos. 编号	Quant. 数量	Unit 单位	Designations, dimensions, etc. 产品说明, 规格等
------------	--------------	------------	---

---

12 pc Blind cathode connecting part for contact fixture  
接触夹具的盲阴极连接部分  
Part no.产品编号: 0100 0135  
Customs-Declaration no.报关编号: 72209080



Fig. 07 图07

13 pc Holder for contact fixture for pre-nickel and finish nickel  
incl. shielding and blind cathode fixture and integrated  
titanium auxiliary anode not including wire  
用于预镀镍与亮镍的接触夹具支架，包括屏蔽与盲阴极夹  
具与内置钛辅助阳极，不含电线  
VFN-D/003  
Part no.产品编号: 0100 0270  
Customs-Declaration no.报关编号: 85439000



Fig. 08 图08

Pos. 编号	Quant. 数量	Unit 单位	Designations, dimensions, etc. 产品说明, 规格等
------------	--------------	------------	---

14	pc	Insertion tools for blanks of dental burrs into contact fixture 将牙钻嵌入接触夹具的插入工具 Customs-Declaration no. 报关编号: 82042000 - Standard 标准
15	pc	Part no. 产品编号: 0100 0266 - for very pointed blanks 用于指定空格 Part no. 产品编号: 0100 0267



Fig. 09 图09

16	pc	Removal plier for plated dental burrs from the contact fixture 用于将牙钻移除出接触夹具的镊子 Part no. 产品编号: 0100 0188 Customs-Declaration no. 报关编号: 82032000
----	----	---

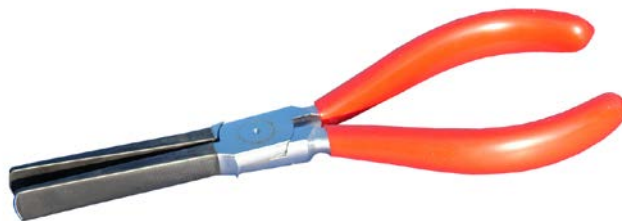


Fig. 10 图10

Pos. 编号	Quant. 数量	Unit 单位	Designations, dimensions, etc. 产品说明, 规格等
------------	--------------	------------	---

17	Set 套	Rinsing pump insert for dental burrs 牙钻的漂洗泵 (1 set = 3 parts) (1套=3部分) Part no.产品编号: 0100 0258 Customs-Declaration no.报关编号: 85439000
----	-------	--

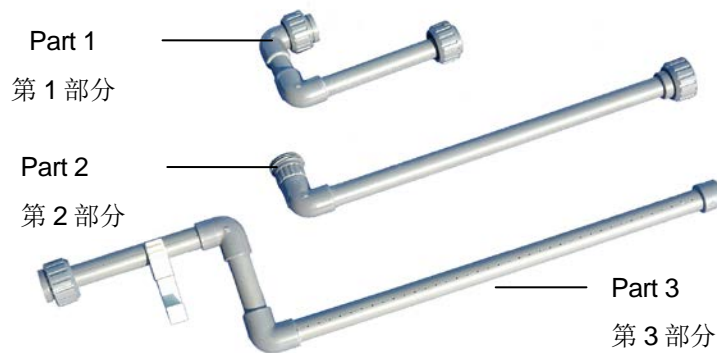


Fig. 11 图11

**II Replacement and wear parts 替换与易损件**

18	Roll 卷	Plastic isolated wire for blind cathode fixture 用于盲阴极夹具的塑料绝缘电线 (1 roll = 100 m) (1卷=100m) Part no.产品编号: 0100 0138 Customs-Declaration no.报关编号: 85444995
----	--------	---



Fig. 12 图12



Pos. 编号	Quant. 数量	Unit 单位	Designations, dimensions, etc. 产品说明, 规格等
------------	--------------	------------	---

19 pc Assembled plastic insulated wire for blind cathode fixture, for immediate use  
 用于盲阴极夹具的组装塑料绝缘电线, 立即可用  
 Part no.产品编号: 0100 0268  
 Customs-Declaration no.报关编号: 74081990



Fig. 13 图13

20 pc O-rings 1.5 x 1.5 for contact fixture FG  
 1.5 x 1.5O型环的接触夹具FG  
 at an ordered quantity of订购数量:  
 - up to 1500 pcs 小于1500件  
 21 pc - 1500 pcs – 2000 pcs 1500件-2000件  
 22 pc - over 2000 pcs 超过2000件  
 Part no.产品编号: 0100 0139  
 Customs-Declaration no.报关编号: 39269097



Fig. 14 图14

23 pc Flat head slot screw  
 M5 x 16 of titanium for contact fixture FG  
 用于接触夹具FG的钛材质槽平头螺丝M5 x 16  
 Part no.产品编号: 0100 0280  
 Customs-Declaration no.报关编号: 81089090  
**(not illustrated) (无图)**

24 pc Flat head slot screw  
 M3 x 8 of titanium for contact fixture FG  
 用于接触夹具FG的钛材质槽平头螺丝M3 x 8  
 Part no.产品编号: 0100 0975  
 Customs-Declaration no.报关编号: 81089090  
**(not illustrated) (无图)**

Pos. 编号	Quant. 数量	Unit 单位	Designations, dimensions, etc. 产品说明, 规格等
25		Tube	Liquid rubber 液体橡胶 (47.5 g tube) (47.5g/管) Part no.产品编号: 0100 0022 Customs-Declaration no.报关编号: 32141010 <b>(not illustrated) (无图)</b>
26		pc	Contact module with 12 slots for contact fixture KLD 3 – FG / 002 接触夹具 KLD 3 – FG / 002的带有12个插槽的接触模块 Part no.产品编号: 0100 0251 Customs-Declaration no.报关编号: 85439000 
27		pc	Contact module with 12 slots for contact fixture KLD 3 – FG / 002-K for short shank 接触夹具 KLD 3 – FG / 002-K的带有12个插槽的短柄的接 触模块 Part no.产品编号: 0100 0250 Customs-Declaration no.报关编号: 85439000 <b>(see Fig. 15)(见图15)</b>

Fig. 15 图15